

 **LAUDA**



**OVERALL BROCHURE
CONSTANT TEMPERATURE EQUIPMENT
2022/2023**

°FAHRENHEIT. °CELSIUS. °LAUDA.

LAUDA DEEP-FREEZERS



Specific application examples

- Secure storage of organic substances, vaccines or reference strains of microorganisms
- Cold storage of enzymes and test kits in laboratories and hospitals
- Storage in pharmaceutical and chemical facilities
- Storage in pharmaceutical logistics centers



LAUDA Versafreeze

Freezing down to -86°C

with LAUDA freezer cabinets and chest freezers



-86°C 0°C

Tailor-made solutions for long-term and secure storage

Vaccines, organic substances and valuable samples that need to be stored at low temperatures are irreplaceable. Only the highest-quality deep-freezers guarantee long-term stability and availability in these challenging conditions. Based on decades of experience and technical development, LAUDA has optimized its Versafreeze deep-freezers for the extreme conditions of ultra deep-freeze storage and set new standards.



High-performance operating unit with password-protected user management



Flexible loading options for optimum utilization of the usable volume



Powerful insulation technology with high-quality materials

Important functions

- Intuitive operation via touch screen, integrated data logger, password-protected access rights
- The multi-layered high-performance vacuum insulation protects against loss of coldness and minimizes the energy consumption of continuous operation
- Options: CO_2 or LN_2 safety cooling system, water cooling, set of drawers for freezer cabinets, factory certificate

Included accessories

Two feedthroughs $\varnothing 13$ mm, for incorporating additional control or alarm sensors, Ethernet RJ45 connection

Further accessories

Storage system/plug-in units, boxes, grid segmentations, external data logger

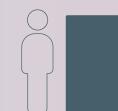
All technical data and power supply variants can be found in the ›Technical data‹ section.

More at www.lauda.de/1774



LAUDA Versafreeze

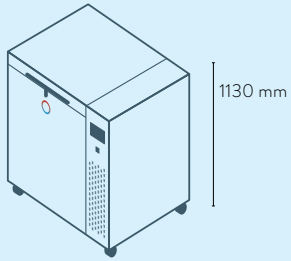
LAUDA Versafreeze appliances offer the greatest possible security for your samples, even in a power cut, thanks to long defrosting times. The integrated accumulator is a standard feature and ensures that the display and alarm functions are maintained for a period of up to 35 hours.



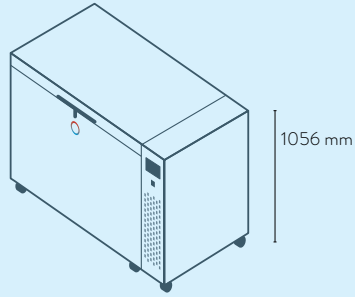
LAUDA Deep-freezers

Device type overview

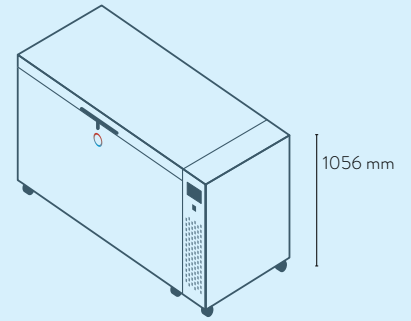
LAUDA Versafreeze Chest freezers / Page 142



VF 20040
VF 20085

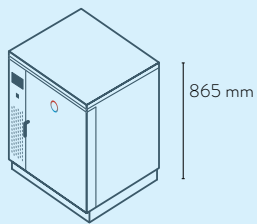


VF 55040
VF 55085

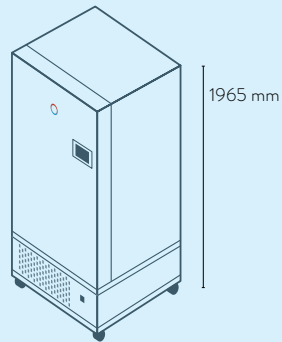


VF 75040
VF 75085

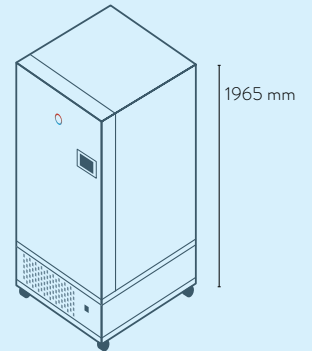
LAUDA Versafreeze Upright freezers / Page 142



VF 15040
VF 15085



VF 60040
VF 60085



VF 70040
VF 70085

LAUDA Deep-freezers

Technical data

Device type	Usable volume L	Temperature range	Cooling time to -80 °C / -40 °C h (without load)	Warm-up time -80 °C / -40 °C to 0 °C h (without load)	Interior dimensions (W x D x H) mm	External dimensions (W x D x H) mm	Net weight kg	Capacity 50 mm cryoboxes	Part number
Chest freezers / Page 142									
VF 20040 C	205	-40 ... 0 °C	3	6	790×520×500	960×790×1130	188	135	L003335
VF 55040 C	556	-40 ... 0 °C	4	10	1180×620×760	1671×910×1056	260	416	L003336
VF 75040 C	754	-40 ... 0 °C	5	10	1600×620×760	2102×910×1056	310	572	L003337
VF 20085 C	205	-86 ... -50 °C	3	11	790×520×500	960×790×1130	210	135	L003338
VF 55085 C	556	-86 ... -50 °C	4	19	1180×620×760	1671×910×1056	280	416	L003339
VF 75085 C	754	-86 ... -50 °C	5	19	1600×620×760	2102×910×1056	332	572	L003340
Upright freezers / Page 142									
VF 15040	129	-40 ... 0 °C	5	12	480×480×560	904×776×865	128	81	L003341
VF 60040	583	-40 ... 0 °C	6	17	738×600×1320	980×956×1965	334	420	L003342
VF 70040	731	-40 ... 0 °C	7	13	738×750×1320	980×1165×1965	345	525	L003343
VF 15085	129	-86 ... -50 °C	5	18	480×480×560	904×776×865	162	81	L003344
VF 60085	583	-86 ... -50 °C	6	27	738×600×1320	980×956×1965	356	420	L003345
VF 70085	731	-86 ... -50 °C	7	25	738×750×1320	980×1165×1965	370	525	L003346

Power supply: 230 V; 50 Hz; Electrical connection: CEE7/7 angled, (EU, Schuko)

Other voltage and plug variants available.

